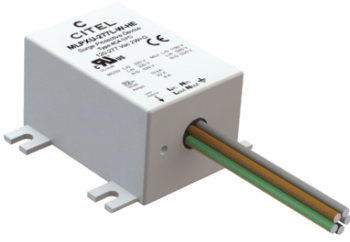
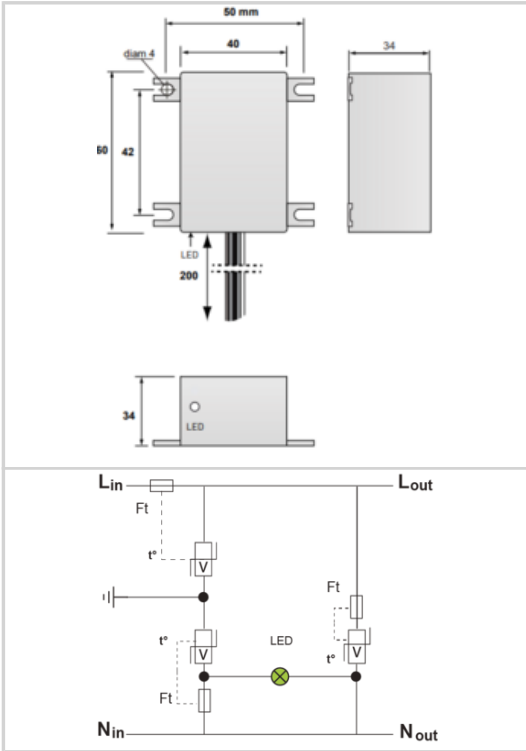


MLPXU-277L-W-HE



- MOV Technology
- for 120-277Vac LED applications
- I_{max} 20kA, I_n 10kA
- LED indicator
- IP67
- ANSI/IEEE C136.2 Extreme
- ANSI/IEEE C62.41 Category C
- UL Type 4CA
- 10-year Warranty



Electrical Characteristics		
POWER SPD TYPE		UL1449 5th Ed. TYPE 4CA
VOLTS	(V)	277
AC/DC/DC PV/RF		AC
PHASE	(PH)	1
AMPS	(A)	8
AMBIENT MIN	(C)	-35
AMBIENT MAX	(C)	+75
MODES		L-N, L-G, N-G
MLV	(V)	1280/1190/1220
MCOV	(V)	320/320/320
IN15 impulses 8/20µs	(kA)	10
SCCR	(kA)	n/a
IMAX8/20µs	(kA)	22
Mechanical Characteristics		
TECHNOLOGY		Hybrid Inductor+Thermal-MOV
NETWORK CONFIGURATION		2 pole, 2W+G, Single/Spilt Phase
CONNECTION METHOD		8" #16 AWG SERIES LEADS
MOUNTING		FLANGE MOUNT
MATERIAL		Thermoplastic UL94-V0
NEMA RATING (IP RATING)		NEMA 6P (IP67)
FAIL-SAFE BEHAVIOR		Disconnection via fuse-link
REAL-TIME DIAGNOSTICS		LED Indicator
DIMENSIONS		See diagram (mm)
WEIGHT		0.30 lbs
Standards		
UL STANDARD		UL1449 5th Edition
UL CATEGORY		VZCA2, VZCA8
UL FILE NUMBER		E326289
STANDARDS		IEC 61643-11, NOM-003-SCFI-2014, NOM-001-SCFI-1993
ANSI/IEEE C62.41		Category C 20kV/10kA
ANSI/IEEE C136.2		Extreme Category 20kV/10kA
ENVIRONMENTAL STANDARDS		ROHS
Part number		
7113195		